



Solar Frontier K.K.

Installation and Maintenance Manual

SF130-S SF135-S SF140-S SF145-S SF150-S SF155-S SF160-S
SF165-S SF170-S

Contents

- 1. About this Manual**
- 2. General Information**
- 3. Technical Data**
 - 3.1 Electrical Characteristics
 - 3.2 Module Performance at Low Irradiance
 - 3.3 Thermal Characteristics
 - 3.4 Characteristics for System Design
 - 3.5 Mechanical Data
 - 3.6 Module Drawing
- 4. Safety**
 - 4.1 General Safety
- 5. Storage and Transport**
- 6. Mechanical Installation**
 - 6.1 Mechanical Installation Warnings
 - 6.2 Site Location
 - 6.3 Module Handling Instructions
 - 6.4 Module Mounting Instructions
- 7. Electrical Installation**
 - 7.1 Electrical Wiring Safety Precautions
 - 7.2 Grounding
 - 7.3 Electrical Wiring
- 8. Operation**
- 9. Maintenance**
- 10. Disposal**

Disclaimer

This manual is the proprietary information of Solar Frontier K.K. (SF). SF's Limited Warranty Certificate for PV modules will be voided if the instructions here within are not strictly observed. SF will not assume any liability for damage arising from improper use, wrong assembly, operation and maintenance. Solar Frontier reserves the right to make amendments to the contents of this document without prior notice.

This conforms to certification as set out by IEC (61646/ 61730-1/2) and UL (1703).

1. About this Manual

Thank you for choosing Solar Frontier’s (SF) CIS photovoltaic (PV) modules. At Solar Frontier, we look forward to providing you the highest standards in solar energy performance and customer service.

The following manual contains vital information on handling, installing, wiring, operating and maintaining SF PV modules, and the associated risks. It is essential that you thoroughly understand all the instructions and warnings in this document, together with any information provided by balance of system manufacturers, to ensure the correct and safe use of our modules. Please share this manual with the installer/operator and keep it for future reference. BE SURE TO CONFORM TO ALL RELEVANT LOCAL AND NATIONAL LAWS, REGULATIONS AND CODES WHEN INSTALLING, WIRING, OPERATING AND MAINTAINING SF PV MODULES.

For additional queries, please contact your local supplier or Solar Frontier.

2. General Information

Solar Frontier’s CIS modules generate an electrical direct current when exposed to sunlight. They are designed for terrestrial use. The nominal power of SF PV modules indicates the power generated under Standard Test Conditions (cell temperature: 25°C, air mass 1.5, solar irradiance 1000 W/m²). SF PV Module power output in actual operating conditions may vary. The amount of electrical direct current generated by SF PV modules is proportional to irradiance intensity, while the voltage is affected by temperature.

3. Technical Data

The technical data below represents SF PV modules distributed in all regions. **Information required by UL is marked accordingly and is only relevant to US installers.**

3.1 Electrical Characteristics

Electrical Data at Standard Test Conditions 25°C, AM1.5, 1000W/m² (UL: per ASTM E892)

		SF130-S	SF135-S	SF140-S	SF145-S	SF150-S	SF155-S	SF160-S	SF165-S	SF170-S
Maximum Power	Pmax	130W	135W	140W	145W	150W	155W	160W	165W	170W
Tolerance of Pmax		+10% / -5%								
Open Circuit Voltage	Voc	106V	106V	107V	107V	108V	109V	110V	110V	112V
Short Circuit Current	Isc	2.10A	2.10A	2.10A	2.20A	2.20A	2.20A	2.20A	2.20A	2.20A
Maximum Power Voltage	Vmpp	79.5V	80.0V	80.5V	81.0V	81.5V	82.5V	84.0V	85.5V	87.5V
Maximum Power Current	Imp	1.64A	1.69A	1.74A	1.80A	1.85A	1.88A	1.91A	1.93A	1.95A
Open Circuit Voltage at -10°C and 1,250W/m ² irradiance (UL)		119V	119V	120V	120V	121V	122V	123V	123V	125V
Short Circuit Current at 75 °C and 1,250W/m ² irradiance (UL)		2.64A	2.64A	2.64A	2.76A	2.76A	2.76A	2.76A	2.76A	2.76A

Photovoltaic modules may produce more current and/or voltage under actual operating conditions than in Standard Test Conditions. The electrical characteristics are within ±10% of the indicated Isc and Voc values under STC.

The power output stated on the label is measured at the plant after module preconditioning. The values of Isc and Voc marked on modules shall be multiplied by a factor of 1.25 to determine component voltage ratings, conductor ampacities, overcurrent device ratings, and size of controls connected to the module output.

UL: Refer to Section 690.8 of the National Electrical Code for an additional multiplying factor of 1.25 (80% derating). Installation must be completed in accordance with CSA C22.1, Safety Standard for Electrical Installations, Canadian Electrical Code, Part 1.

Electrical Data at Nominal Operating Cell Temperature Conditions (NOCT 47°C)

		SF130-S	SF135-S	SF140-S	S145-S	SF150-S	SF155-S	SF160-S	SF165-S	SF170-S
Maximum Power	P _{max}	96.6W	100W	104W	108W	111W	115W	119W	123W	126W
Open Circuit Voltage	V _{oc}	96.5V	96.5V	97.4V	97.4V	98.3V	99.2	100V	100V	102V
Short Circuit Current	I _{sc}	1.68A	1.68A	1.68A	1.76A	1.76A	1.76A	1.76A	1.76A	1.76A
Maximum Power Voltage	V _{mpp}	74.6V	75.0V	75.5V	76.0V	76.4V	77.4V	78.8V	80.2V	82.1V
Maximum Power Current	I _{mp}	1.30A	1.34A	1.38A	1.43A	1.47A	1.49A	1.51A	1.53A	1.55A

3.2 Module Performance at Low Irradiance

Efficiency reduction of maximum output from an irradiance of 1000 W/m² to 200W/m² at 25°C is typically 2.0%.

The standard deviation for the reduction in efficiency is 1.9%.

3.3 Thermal Characteristics

NOCT		47°C
Temperature Coefficient of I _{sc}	α	+ 0.01 % / K
Temperature Coefficient of V _{oc}	β	- 0.30 % / K
Temperature Coefficient of P _{max}	δ	-0.31 % / K

3.4 Characteristics for System Design

Maximum System Voltage	V _{sys}	1000 V DC
Limiting Reverse Current	I _r	7A
Maximum Series Fuse Rating	I _{sf}	4A

- The sum of V_{oc} for modules in series must not exceed the maximum system voltage of the module under any condition, this includes at low temperature.
- Reverse current applied to the modules should not exceed 7A under any circumstances.

UL: Modules installed in a parallel will be provided with the listed maximum series fuse, as specified.

3.5 Mechanical Data

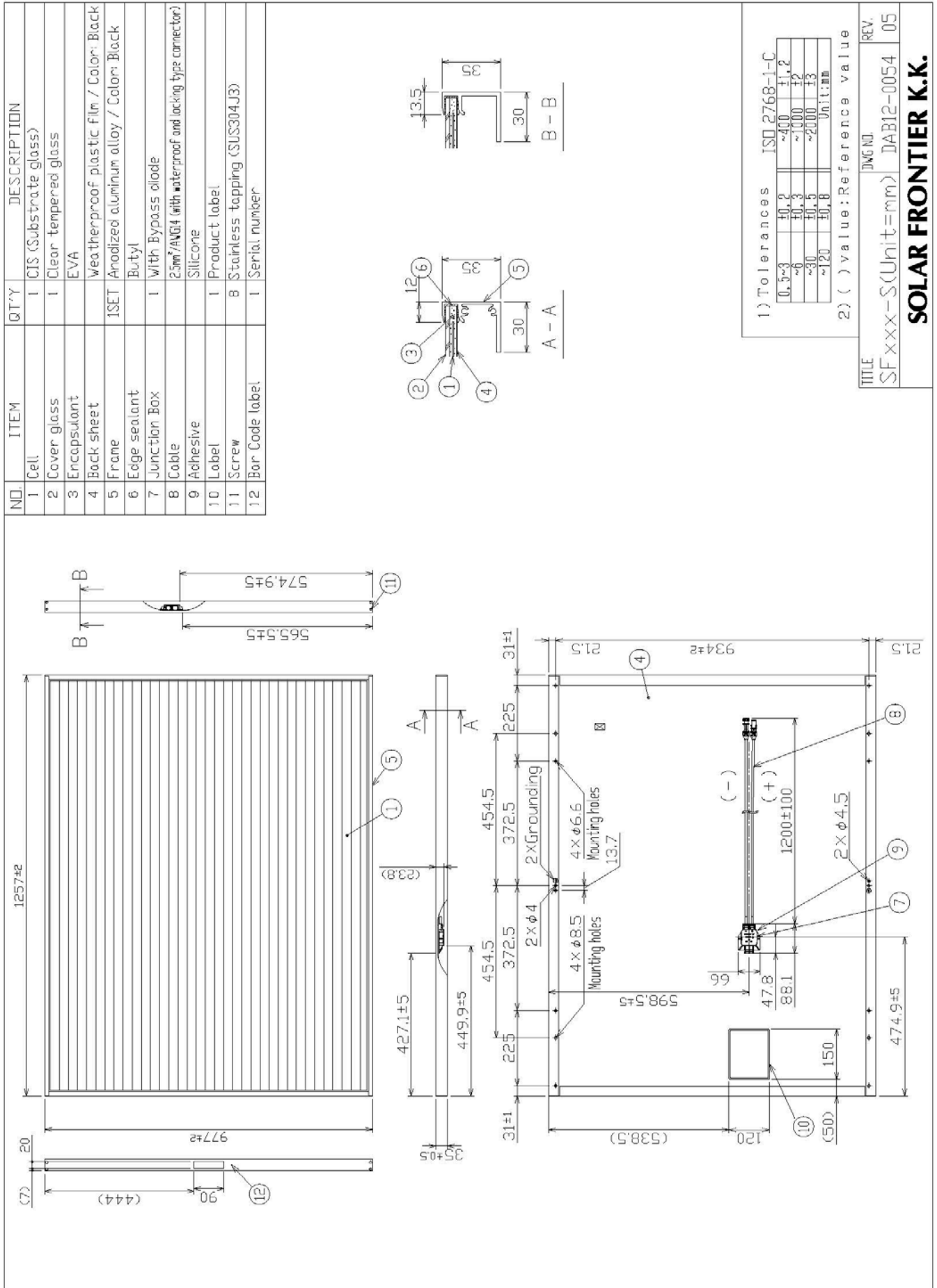
Dimensions (L x W x H)	1257 x 977 x 35 mm (49.5 x 38.5 x 1.4 in)
Weight	20.0 kg (44.1 lbs) / 16.3 kg/m ² (3.3 lbs/ft ²)
Module Operating Temperature	-40°C to 85°C
Application Class on IEC61730	Class A
Fire Safety Class on IEC61730*1	Class C
Cable	2.5mm ² / 14AWG (Halogen Free)
Snow Load (to the front of the module) *2	2400 Pa (IEC61646) / 1600Pa design load (UL1703)
Wind Load (to the back of the module)	2400 Pa (IEC61646) /1600Pa design load (UL1703)

*1 UL: The fire rating of this module is valid only when mounted in the manner specified in the mechanical mounting instructions.

*2 UL: The load applied to a module under UL testing conditions is 1.5 times greater than the module's design load. Accordingly, 2400 Pa (50 lbs /ft²) is loaded to test the 1600 Pa (33.4 lbs /ft²) UL design load .

3.6 Module Drawing

Please refer to the diagram below to identify module parts.



4. Safety

Please ensure all necessary measures are taken to prevent accidents. The use of SF PV modules in applications that may endanger human lives is prohibited, including in air and road transport systems. SF modules must not be used for anything other than their express purpose.

Solar Frontier strongly advises you to follow the instructions below in order to avoid bodily injury, damage to property and/or death.

4.1 General Safety

- Installation, wiring, and maintenance of SF PV modules must only be carried out by licensed and trained persons.
- Ensure that all instructions and information related to SF PV modules and other balance of system components are fully understood prior to handling and installing a PV solar system.
- The front surface of SF PV modules must be covered with an opaque material during installation to decrease the potential of electrical shock.
- SF PV modules only generate direct current (DC) electricity.
- SF PV modules do not have the ability to store electricity.
- SF PV modules will experience higher voltage when connected in series and higher electrical current when connected in parallel.
- Only interconnect SF PV modules with similar electrical characteristics in series or in parallel to prevent system imbalance conditions and module damage.
- The PV array open-circuit voltage must never exceed the maximum system voltage (including in low temperature conditions).
- Leakage currents could create a shock hazard or fire.
- Do not disconnect operational modules or electrical arcing may occur. This may result in serious bodily harm or death.
- Do not use SF PV modules for purposes other than terrestrial power generation to prevent electrical shock, fire or other accidents.
- Do not concentrate artificial sunlight on modules using lenses or mirrors.
- Do not use any light sources other than natural sunlight and general illumination for power generation.
- Do not use SF PV modules in water or liquid. There is a serious risk of electric shock, an electric leak or an accident.
- The level of leakage current must be limited in accordance with local regulations for safety reasons.
- Carefully check the polarity of the wiring before installing. Incorrect wiring may damage SF PV modules or appliances.
- Only use equipment, connectors, wiring and support frames suitable for solar electric systems.
- Wear appropriate protection and take all necessary precautions to prevent electric shock, especially when DC voltage exceeds 30 VDC.

5. Storage and Transport

Please follow the instructions on the module packaging when storing and transporting SF PV modules. Ensure that each module is adequately supported and always stored in dry conditions. The module packaging is not waterproof material. Keep the junction box and the module connector away from any liquids when storing and transporting SF PV modules. SF PV modules should be kept in the original packaging until final installation. Small amounts of white powder from packaging material may adhere to the modules. This may safely be ignored and has no affect on performance.

6. Mechanical Installation

6.1 Mechanical Installation Cautions

- Observe all applicable health and safety regulations when installing SF PV modules.
- A safe distance should be cordoned off around the installation area.
- Fall protection equipment must be used.
- Installation in windy or wet conditions may require additional precaution. Please follow your local safety regulation.
- Keep the junction box and the module connector away from any liquids until connectors are mated. Failure to do this may cause faulty wiring.
- Keep SF PV modules out of reach of children.

6.2 Site Location

- Ensure that the maximum wind and snow loads in local conditions do not exceed the SF PV module maximum load ratings.
- Avoid installing SF PV modules in areas exposed to oil vapor and /or corrosive gas.
- Avoid accumulation of grit or dust on the SF PV modules as it may influence the output yield.
- Do not expose SF PV modules to sulphurous atmospheres.
- Do not install SF PV modules in locations where flammable gases accumulate or flow as there is a risk of sparks from SF PV modules.
- Do not install SF PV modules near fire.
- Avoid installing SF PV modules in locations where they may be permanently covered by shadows. This may adversely affect their performance.
- Do not install SF PV modules in locations where temperatures exceed the temperature range indicated in the module's technical specifications.

6.3 Module Handling Instructions

- Do not disassemble or modify SF PV modules. This may result in an electric shock, fire or other accidents. Solar Frontier cannot be held responsible for any loss or damage caused by unauthorized disassembling, modification or misuse of SF PV modules.
- Do not drill additional mounting holes into the aluminum frame. Only pre-drilled holes should be used.
- Avoid placing any stress onto the SF PV modules, cables or connectors. (Minimum bending radius of 39mm or 1.54in for module cables is recommended)
- Do not stand or step on SF PV modules. This may result damage to the module and/or bodily injury by falling.
- Do not drop SF PV modules or drop objects onto them. Both sides of the module (the glass surface and the back sheet) are fragile.
- Do not strike the terminal box or pull the cables. The terminal box can crack and break, while the output cable may unplug and cause electricity leakage or an electric shock.
- Do not scratch the backsheet or cables of the SF PV modules. Rubbing or scratching may result in an electric shock, electric leakage or an accident.
- Do not scratch the insulation coating of the frame (except for the grounding connection). This may weaken the strength of the frame or cause corrosion.
- Do not cover the water drain holes of the frame. Doing so may cause frost damage.
- Do not use glue when closing the cover of the junction box. Similarly, do not use a sealant to bond the junction box lid to its base.

6.4 Module Mounting Instructions

Mounting Structures Cautions

- Pay attention to the electrochemical series when selecting support structure material to avoid galvanic corrosion.
- Fasten and lock bolts completely. Inadequate mounting may result in SF PV modules to falling or other accidents.
- Ensure that the SF PV modules are securely fastened to the mounting support structure that is durable, made of corrosion and UV resistant material, and follow the applicable local and civil codes.
- Ensure that your mounting support structure is designed to withstand the SF PV module design snow and wind loads applicable for your chosen site. Solar Frontier will not be responsible if the SF PV modules are damage due to the durability of the mounting support structure. Consult your mounting structure manufacturer for an appropriate mounting design.

Mounting the Solar Modules

- PV modules should typically face South in the Northern Hemisphere and North in the Southern Hemisphere for optimal power production.
- Modules can be installed horizontally (landscape) or vertically (portrait).
- Maintain a space between SF PV modules and the roof. This will allow air to circulate, cooling the module, and allowing condensation to dissipate. Solar Frontier recommends a distance of at least 100mm (3.94 in).

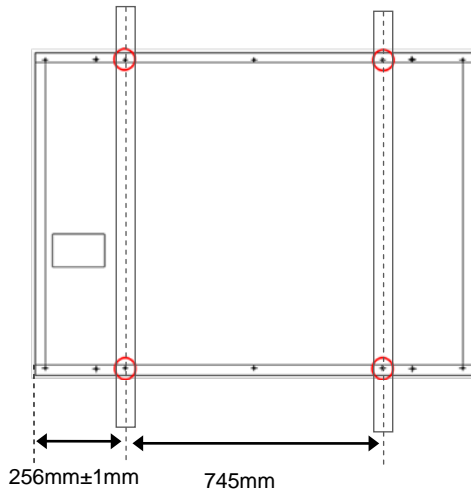
UL: The module is considered to be in compliance with UL1703 only when the module is mounted in the manner specified by the mounting instructions below.

Mounting with Screws

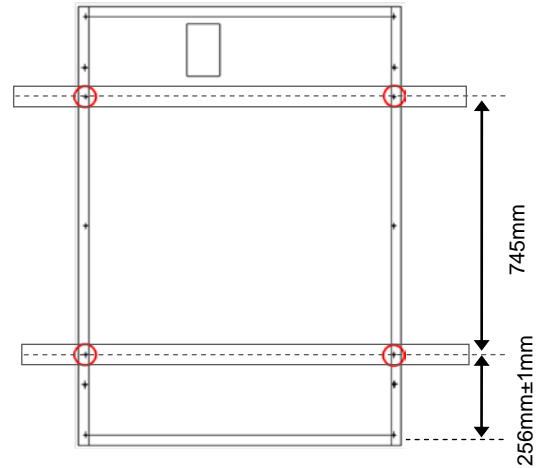
SF modules should be fastened to the support structure using the mounting holes on the frame. The support structure should be securely fastened to a non-corrosive roof.

Mounting with Inner Holes

Each module will require four M6 (or 1/4 in) bolts with washers, lock washers and nuts. Tighten the screws with an adequate torque value. **UL:** Recommended tightening torque is 8 N-m (70.8 lb-in) minimum.



Landscape (horizontally)



Portrait (vertically)

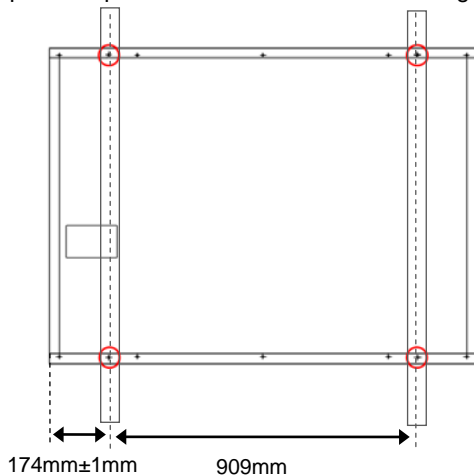
TUV: 2400Pa (50 lbs/ft²) to the front and back of the module

UL: 1600 Pa (33.4 lbs / ft²) to the front and back of the module

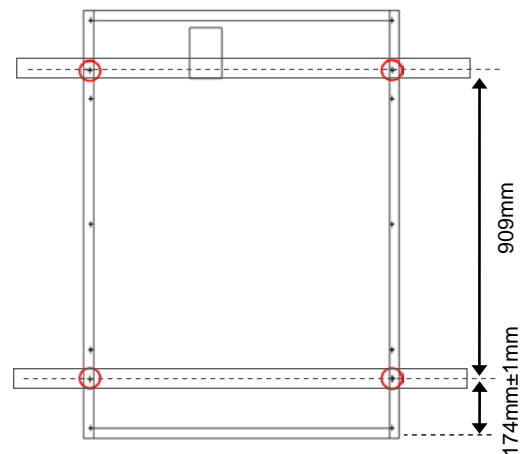
1.5 times the design load is applied to the module during UL testing. 2400 Pa (50 lbs /ft²) is applied to test 1600 Pa (33.4 lbs / ft²) UL design load.

Mounting with Outer Holes

Each module will require four M8 (or 5/16 in) bolts with washers, lock washers and nuts. Tighten the screws with an adequate torque value. **UL:** Recommended tightening torque is 15 N-m (132.8 lb-in) minimum.



Landscape (horizontally)



Portrait (vertically)

TUV: 2400Pa (50 lbs/ft²) to the front and back of the module

UL: 1600 Pa (33.4 lbs / ft²) to the front and back of the module

1.5 times the design load is applied to the module during UL testing. 2400 Pa (50 lbs /ft²) is applied to test 1600 Pa (33.4 lbs / ft²) UL design load.

Please refer to further instructions and adequate torque value provided by the screw manufacturer.

Mounting with Clamps

Four or more rust-proof aluminum clamps should be used to fasten SF PV modules to the support structure. Center-line of the clamps shall be secured within the indicated clamping zone ($256\text{mm} \pm 75\text{mm}$) from the corners of the longer module frame using stainless-steel M8 bolts with a minimum length of 20mm. Tighten the clamps with an adequate torque value. UL: Recommended tightening torque is 15 N-m (132.8 lb-in) minimum.

All selected module clamps must be at least 50mm long, 3mm thick, and overlaps the module frame by 8mm or more.

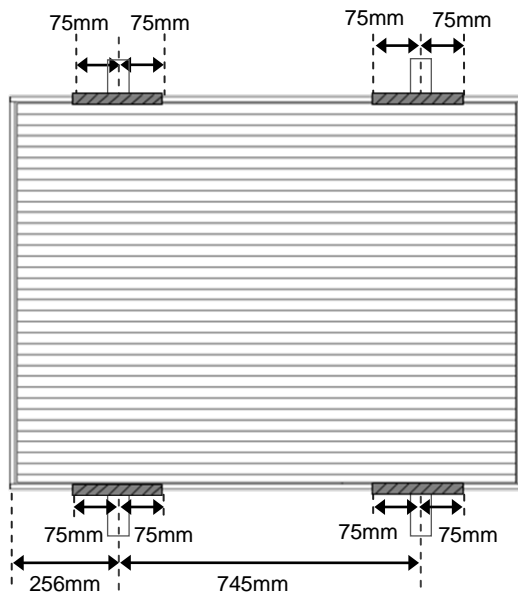
Clamps must not create shadow nor cover the front glass and shall not deform the module frames during installation. Please refer to the instructions provided by the clamp manufacturer for further instructions.

TUV: 2400Pa (50 lbs/ft²) to the front and back of the module

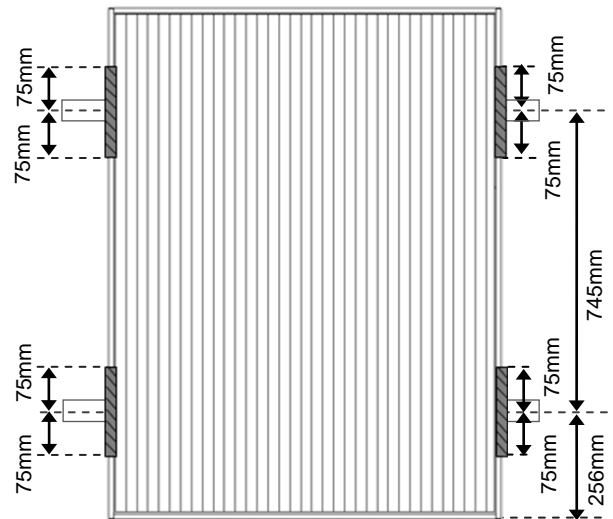
UL: 1600 Pa (33.4 lbs / ft²) to the front and back of the module

1.5 times the design load is applied to the module during UL testing. 2400 Pa (50 lbs /ft²) is applied to test 1600 Pa (33.4 lbs / ft²) UL design load.

Module Perpendicular to Support Rails

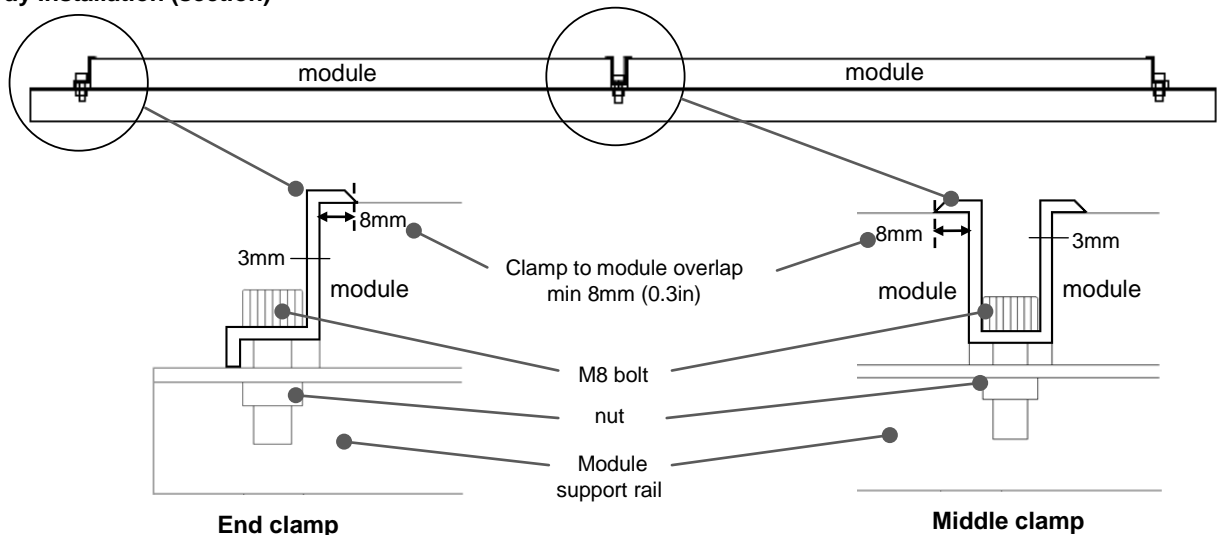


Landscape (horizontally)

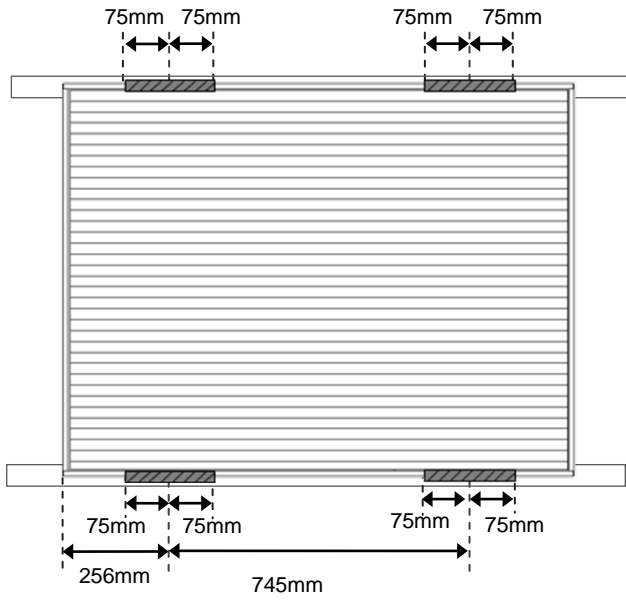


Portrait (vertically)

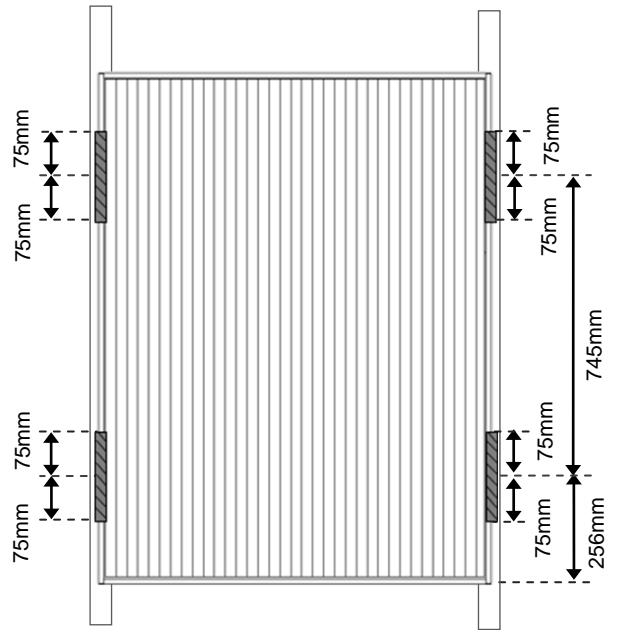
Array Installation (section)



Module Parallel to Support Rails

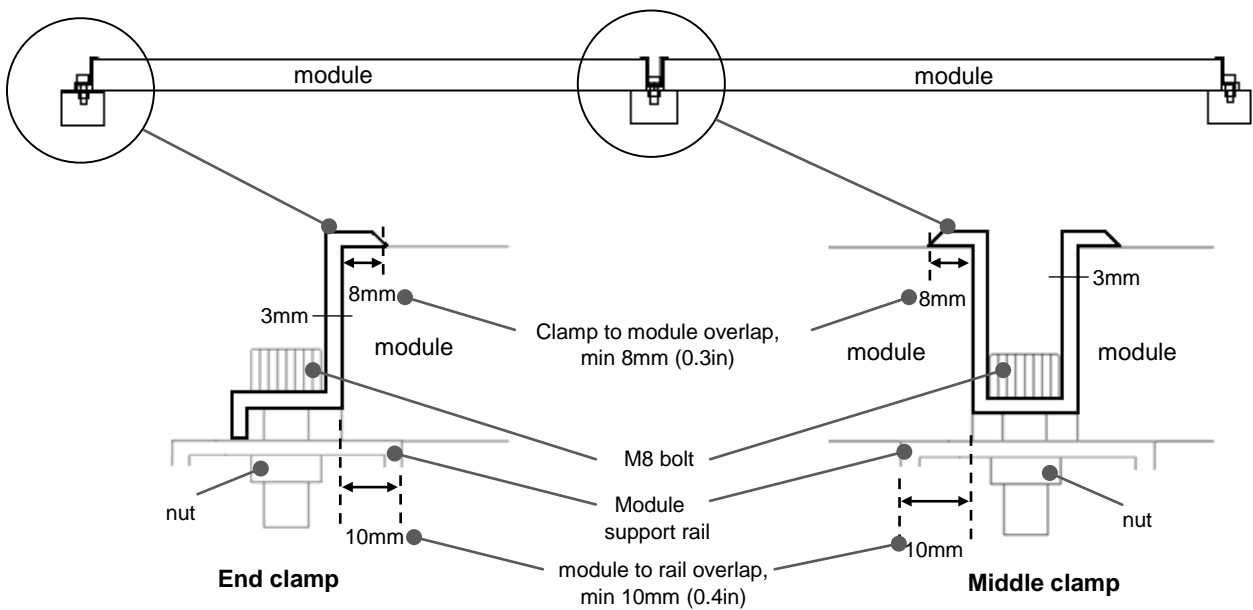


Landscape (horizontally)



Portrait (vertically)

Array Installation (section)



For alternative mounting methods, please consult Solar Frontier.

7. Electrical Installation

7.1 Electrical Wiring Safety Precautions

- The sum of Voc of modules in series must not exceed the maximum system voltage of the module under any condition. Reverse current applied to the modules must not exceed 7A.
- Do not touch or handle the PV module, terminal box or the end of output cables with bare hands.
- Do not carry out installation when PV modules, installation tools or installation area are exposed to water.
- Ensure that the connection parts between SF PV modules and power receiving devices are isolated and waterproof. Using SF PV modules with insufficient isolation and waterproofing could result in an electric shock, an electric leak or an accident.
- Keep the junction box and the module connector away from any liquids until connectors are mated. Failure to do this may cause faulty wiring.
- Components interconnecting the modules must be compatible with the connectors, and must provide proper system operation and fault protection.
- Inverters must meet the technical requirements of SF modules.
- Do not connect the PV modules directly to loads such as motors. Variation in output power may damage the motor.
- Observe and understand the safety instructions of batteries. Their misuse can result in serious bodily injury due to high electrical current.
- Cables should be adequately protected from damage by wildlife.

7.2 Grounding

Grounding Cautions

- Be aware of the necessary grounding requirements prior to installation. Your local authorities can help you further.
- Install arrestors, surge absorbers or any other appropriate lightning protection tools as needed.


Module frames, mountings, connection boxes and metal conduits should be connected to an earth ground for lightning protection, in accordance with local, regional and national standards and regulations.

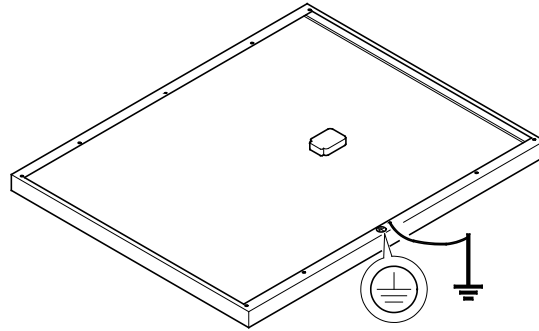
- Grounding holes ($\Phi 4\text{mm}$) on the aluminum frame of the SF PV modules are provided to accommodate grounding. Use a grounding wire made of copper, not smaller than 2mm sq (14AWG). Temperature rating of the conductors must be between -40°C to 85°C . Ensure that the crimping terminal is tightly tied to the module frame with a rolling thread screw and a lock washer to ensure electrical contact.
- Grounding devices such as module clamps with an integrated grounding pin, serrated washers, grounding clips or lugs, designed for bonding photovoltaic modules to the mounting structures may also be used for grounding as described in National Electrical Code Section 250. These grounding devices shall be made in conformance with the grounding device manufacturer instructions. Consult with the grounding device manufacturer to identify the appropriate grounding and bonding device for your mounting structure or design.

For alternative grounding methods, please consult Solar Frontier.

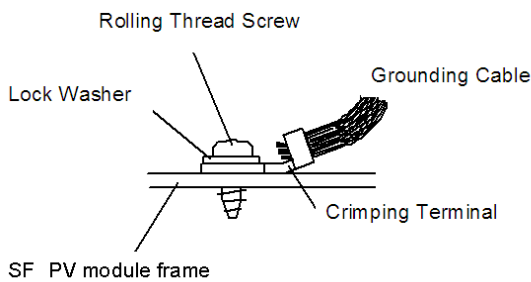
UL: The module with exposed conductive parts is considered to be in compliance with UL1703 only when it is electrically grounded in accordance with the instructions presented below and the requirements of the National Electrical Code.

Grounding Image:

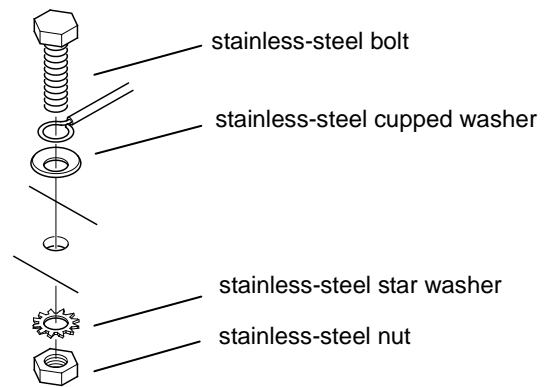
Connect to earth ground from where the grounding sign  is indicated.



Grounding (IEC)



Grounding with washer (UL)

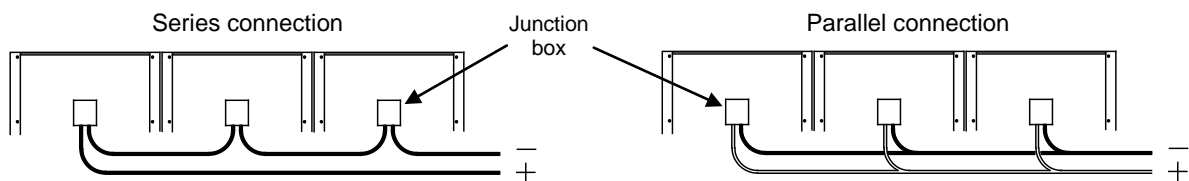


Use M4 bolt or standard gauge size #6 bolt. Tighten the bolts or screw with an adequate torque value. Please refer to further instructions provided by the screw or bolt manufacturer.

UL: Recommended tightening torque is 1.5 N-m and 1.0N-m minimum for M4 and standard size #6 bolt respectively.

7.3 Electrical Wiring

- A set of cables with a plastic connector for each polarity is supplied with SF PV modules. Use these to connect modules.
- Do not open the junction box on the back side of the module
- Fasten the module cable to the frame or to the mounting system in order to avoid any stress to the connector.
- Cables drooping from the terminal box are hazardous and must be avoided.
- Cables should be secured so they are not exposed to direct sunlight (such as behind the module).
- The sum of Voc of modules in series must not exceed the maximum system voltage rating of the module under any condition, even at low temperature.
- Reverse current applied to the modules should not exceed 7A under any condition.
- Minimum cable diameter: 2.5mm sq



Carry out installation and wiring work in compliance with all relevant health, safety and environment laws and regulations.

8. Operation

- Prior to connecting the PV system to the grid, make sure the entire system has been checked, tested and approved in accordance with the applicable regulations.
- Depending on local regulations and utility policies, connection to the grid and start up of the PV system may only be performed by authorized personnel.

9. Maintenance

A monthly visual check is highly recommended in order to maintain the efficiency of SF PV modules and the security of the mounting.

- Remove any dirt, fallen leaves or bird droppings from the surface, and check that there is no damage to the surface. Do not use detergent or chemicals for cleaning dirt off SF PV modules as it may damage the modules and result in degradation of insulation.
- Do not use hard brushes or any other hard materials; use only soft cloths or sponges for removing dirt from the SF PV modules surface.
- When replacement parts are required, be sure the installer/servicer uses parts specified by the manufacturer with the same characteristics as the original parts. Unauthorized substitutions may result in fire, electric shock, or other hazard.
- Stop using SF PV modules when any damage or unusual phenomena are observed. Have them immediately replaced or removed by a qualified technician.

10. Disposal

SF PV modules must be disposed of in a responsible manner. Please contact your local supplier or disposal company for further information. For health and safety reasons, SF modules should not be disposed of with household garbage, and must be dealt with in accordance with local codes and regulations.

Solar Frontier is a member of PV Cycle, marking its commitment to the environment and public safety. PV Cycle's initiatives can be found at: <http://www.pvcycle.org/>

Solar Frontier

Solar Frontier Americas Inc.	Solar Frontier Europe GmbH	Solar Frontier K.K.	Solar Frontier K.K. (HQ)
2099 Gateway Place Suite 310 San Jose, CA 95110 USA	Bavariafilmplatz 8 82031 Grünwald bei München Germany	Technical & Scientific Office Eastern Cement Tower,306 King Fahd Road Al Khobar Kingdom of Saudi Arabia	Daiba Frontier Building 2-3-2 Daiba, Minato-ku Tokyo 135-8074 Japan
Tel: +1 408 916 4150	Tel: +49 89 92 86 142 0	Tel: +966 13 882 0260	Tel: +81 3 5531 5626

www.solar-frontier.com

